

Fixing Bluey to the Base: Rev 1

- Base Dimension is 1200mm x 1200mm
- 38mm x 25mm Steel Frame on casters. (Support frame)
Note; It is important to ensure the steel frame is level. (Like building a house, if the foundation is wrong you will battle on the whole build.)
- Screw 18 mm MDF or Structural Board to the base frame.
- Remove the Aluminium centre rail.
- Sit Bluey square to the base.
- Drill a hole in the corner brackets (Refer Figure 1.) and fix to the base. Watch out for the other fixing screws
- Fit Aluminium T-Slot parallel to the side rails. (Measure accurately) **Very important**
- Cut 16mm or 18mm MDF Board into strips (e.g., 6off x 100mm x 880mm Long and 2off x 50mm x 880mm Long.)
- Lay the first strip (50mm) on the base and push up against the first Aluminium strip.
- Fit the next Aluminium T-Slot against the MDF and so on. (Refer Figure 2)
- I have not fixed the MDF strips down. These strips are removable. (Ensure they are always clean underneath) The Clamps will hold them in place.

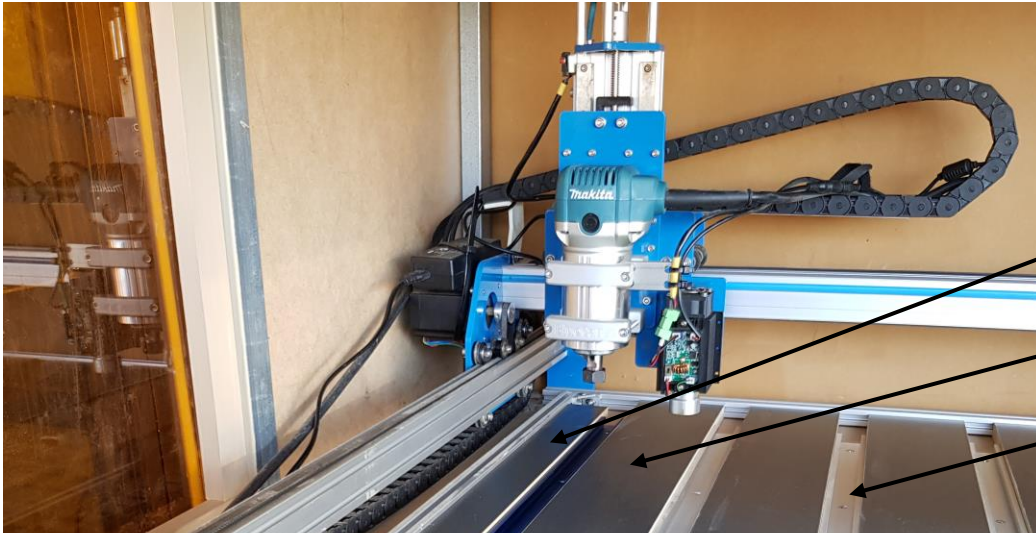
Materials:

- Aluminium T-Slot (**Adam**) 8 Off
- Clamps (**Adam**) 6 Off
- Timber Base 16mm Board
- Additional Corner Aluminium Brackets (**Adam**)

You can make the top bigger if you wish. I have tried 3 or 4 different ways but have found this to be most suitable. (Just an option)

Fitting the T-Slot direct to the main base gives more usable height under the router.

GOOD LUCK

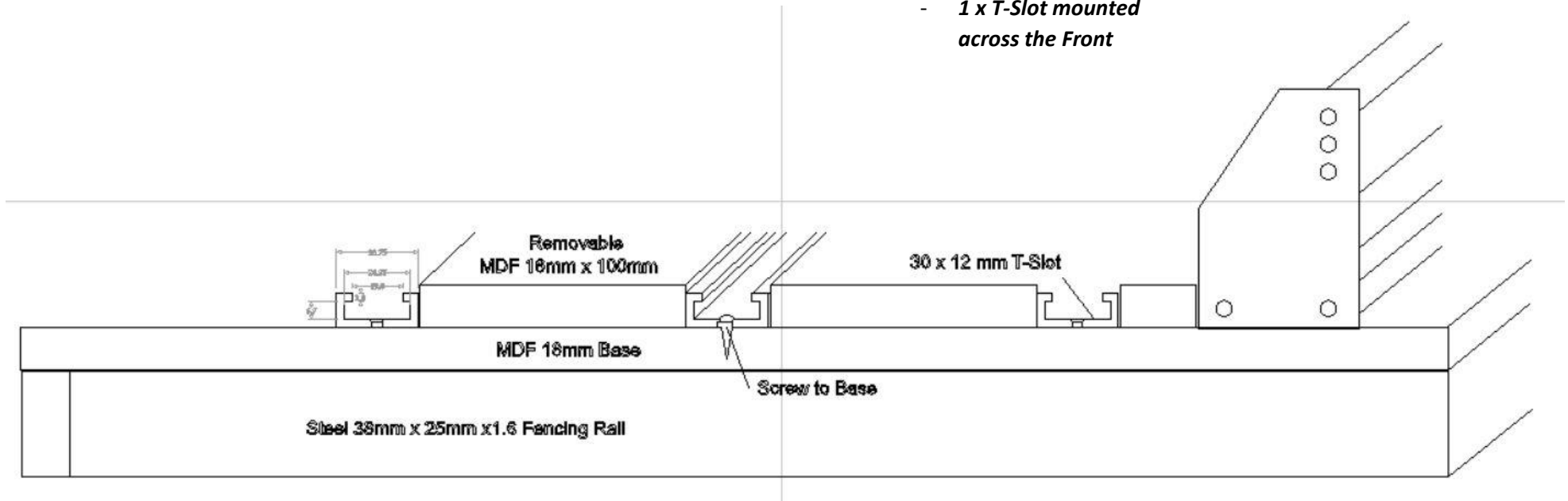
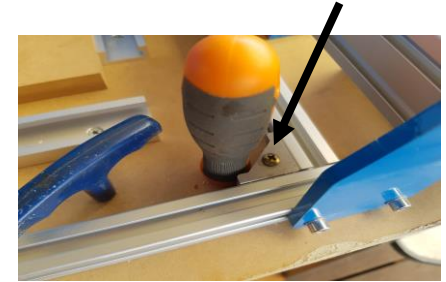


- 18mm MDF Base
- Channel (Layout)
- **16mm MDF Inserts**
- 2off x 880mm x 50mm strips each side of base.
- 6off x 880mm x 100mm strips.
- 8off x 800mm T-Slots
- ***Inserts are not fixed.***
- ***Replaceable***
- ***1 x T-Slot mounted across the Front***

Figure 1.

Fixing to MDF

Drill hole in corner brackets and Fix to base



Base Layout

Figure 2. Layout

